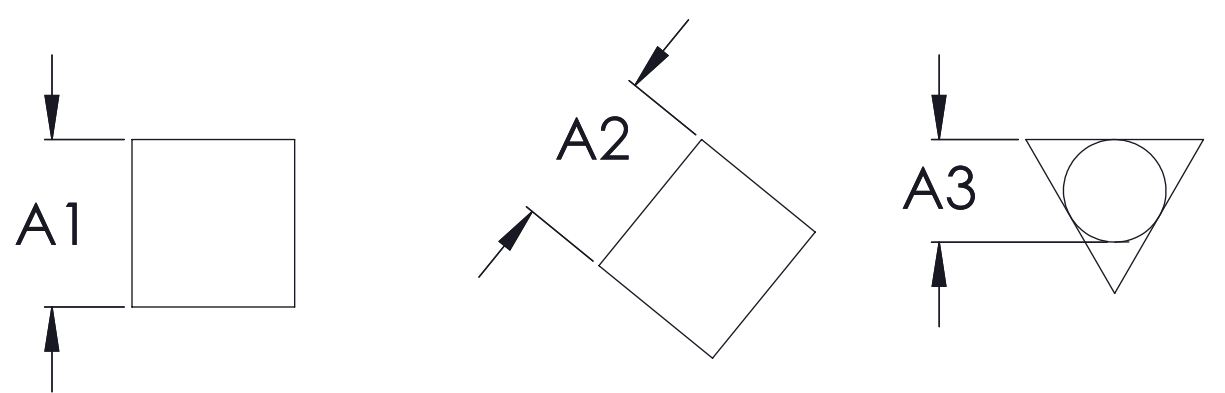
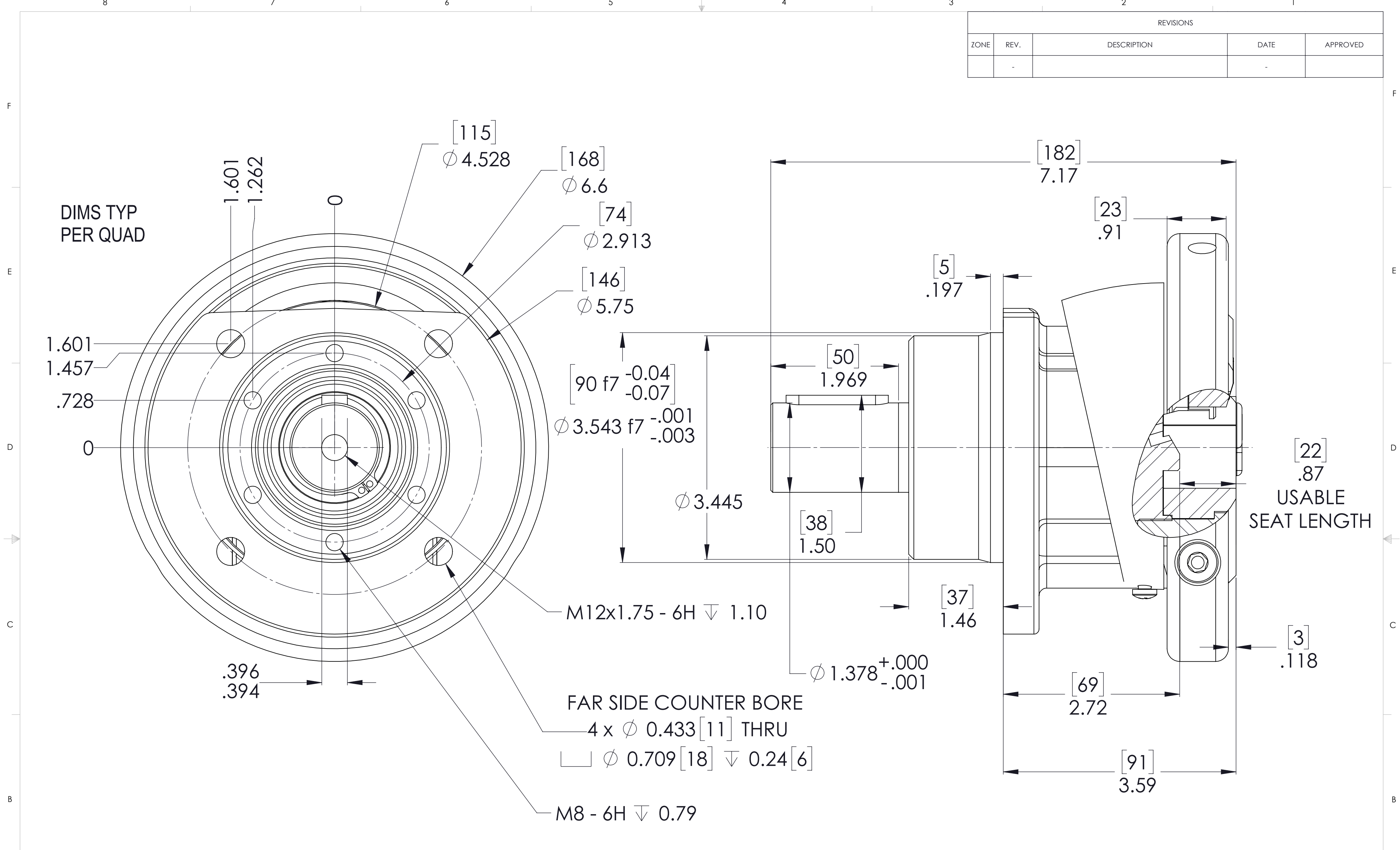


REVISIONS				
ZONE	REV.	DESCRIPTION	DATE	APPROVED
	-			



STANDARD JOURNAL SEAT TYPES								
A1	MIN	MAX	A2	MIN	MAX	A3	MIN	MAX
	1.0	1.0		3/4	1 1/4		.787	1.181
	25	25		20	30		20	30

ALL DIMENSIONS INCH UNLESS OTHERWISE SPECIFIED  
 METRIC TOLERANCES PER ISO 2768-F  
 DEBURR AND BREAK ALL SHARP EDGES  
**PROPRIETARY AND CONFIDENTIAL**

UOS: .00 =  $\pm .01$   
 UOS: .000 =  $\pm .005$   
 UOS: .0000 =  $\pm .0005$   
 UOS: DRAFT ANGLE = 3°  
 UOS: ANGULAR: =  $\pm 1/2^\circ$   
 UOS: FRACTIONAL: =  $\pm 1/64$   
 UOS: FINISH = AS SHOWN

© 2021 **montalvo**  
*Better Web Control®*  
 The Montalvo Corp, 50 Hutcherson Drive Gorham, ME 04038  
 info@montalvo.com 1-800-266-8710

TITLE: G2 CHUCK 1000-FN-BR  
 DRAWN BY: JMC  
 CHK BY: CAO  
 DATE: 4/19/2021

SIZE: C  
 Prt No.: 13009007  
 SCALE: NONE

TAR:   
 REV: -

SHEET 1 OF 1